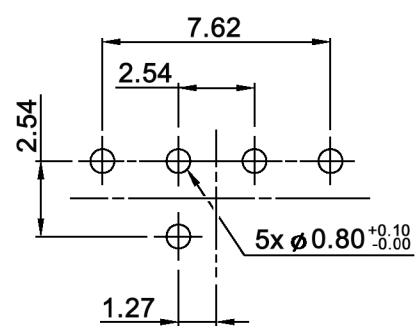


TYPE	CIRCUIT CHARACTERISTIC															
	CODE	POSITION ● ON														
DRR 4116	1	●		●		●		●		●		●		●		●
	2	●	●							●	●					●
	4	●	●	●	●					●	●	●	●			●
	8	●	●	●	●	●	●	●			●	●	●	●	●	●

P.C.B. LAYOUT



Compliance: RohS II (2011/65/EU)

Tolerances: ±0.20mm		Date	Name	<h1>DRR 4116</h1>
		12/07	dr	
Dimensions	02/09	dr		<h2>30 13 19</h2>
Specifications	02/09	dr		
Dimensions	07/08	dr	knitter-switch	
Operating temperature	04/08	dr		
Modifications	Date	Name		Page 1/2

